

Operation Panel / Control Unit

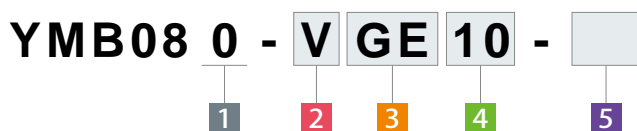
Model YMB080



Clamping System Controls for All Mold Change Methods

Separated operation panel and control unit enables flexibility when selecting control and mounting methods.

Model No. Indication



1 Design No.

Revision Number

2 Mold Change Method

- V : Vertical Mold Change System (Horizontal Molding Machine)
- H : Horizontal Mold Change System (Horizontal Molding Machine)
- R : Vertical Molding Machine ^{※1}

3 Applicable Clamp Model No. ^{※ See the Specification.}

GB : GBB / GBC Clamp

Note: ^{※1}. Please contact us for the control method of vertical molding machine.

Specifications

Model No.	YMB080-□□□10	YMB080-□□□00
Control Panel Voltage	DC24V (Supplied with the attached power supply.)	
Attached Power Supply	PS Pressure	AC100V~240V (50/60Hz)
	PS Capacity	30W 100W

Hydraulic Clamp (G Series)

Model No.	2 Mold Change Method	3 Applicable Clamp Model No.	4 Pressure Source	5 Available Option
YMB080-VGB10	V Vertical Mold Change System	GB GBB / GBC / GBM	10 Kosmek Hydraulic Unit	E / H / N / C
YMB080-VGE10		GE GBE / GBF / GBR	10 Kosmek Hydraulic Unit	H / N / C
YMB080-VGW10		GW GWA	10 Kosmek Hydraulic Unit	N / C
YMB080-VGW00		GW GWA	00 IMM Hydraulic Source	N / C
YMB080-VGL10		GL GLA	10 Kosmek Hydraulic Unit	N / C
YMB080-VGL00		GL GLA	00 IMM Hydraulic Source	N / C
YMB080-HGW10	H Horizontal Mold Change System	GW GWA	10 Kosmek Hydraulic Unit	N / C
YMB080-HGW00		GW GWA	00 IMM Hydraulic Source	N / C

4 Pressure Source ^{※ When using MV Air Valve Unit}

- 10 : With Pressure Switch in the Clamp Circuit
- 00 : Without Pressure Switch in the Clamp Circuit

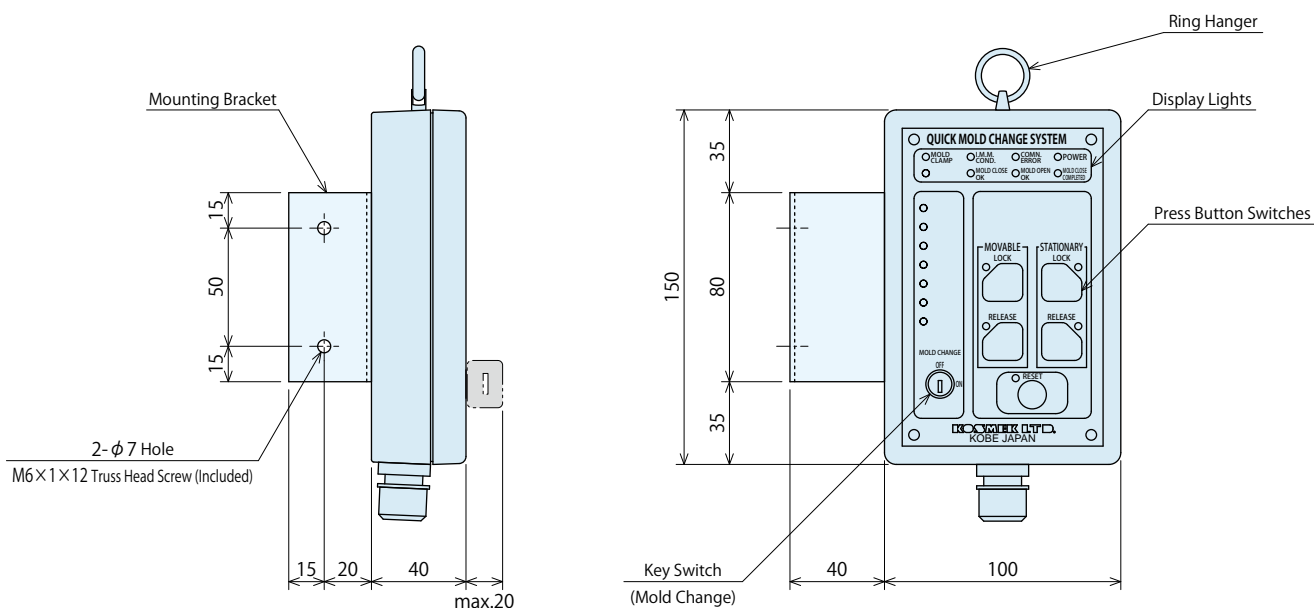
5 Option

- Blank : Standard (Operation Panel in Japanese)
- E : With Mold Confirmation Proximity Switch
- H : With Mold Confirmation Proximity Switch (6-8 pcs. on each side)
- N : Operation Panel in English
- C : Operation Panel in Chinese

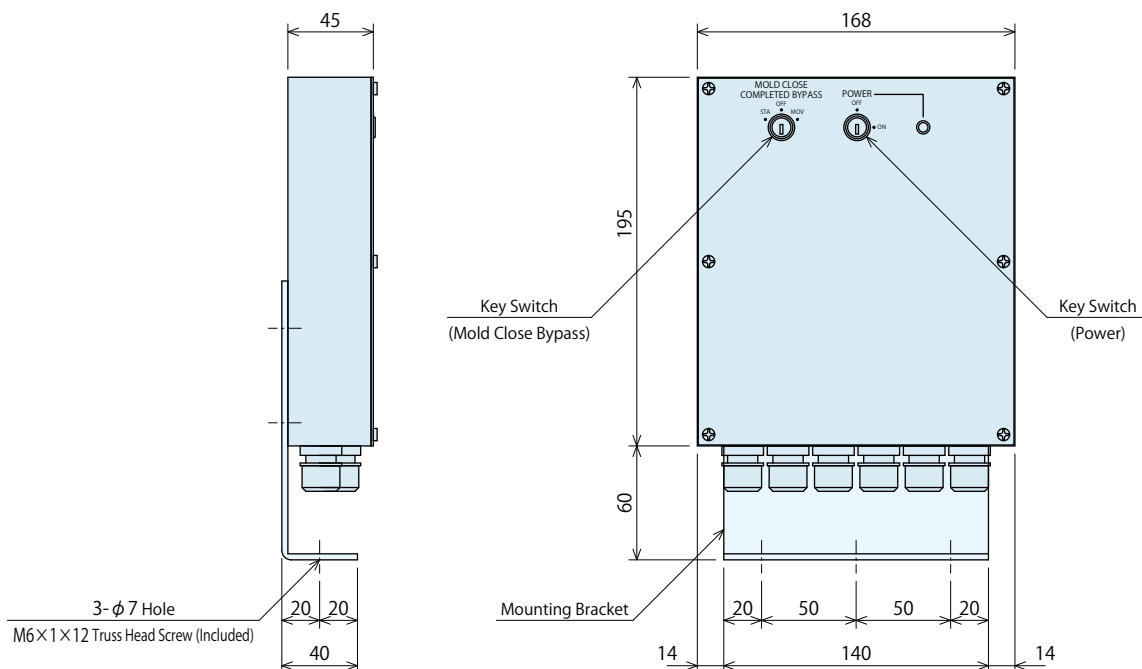
Notes

1. Requested specifications other than those written will be treated as custom made.
2. Signals are sent and received via dry contacts.
3. The molding machine output contact should be for fine current (DC24V / 10mA).
4. The output contact of Operation Panel/Control Unit is DC24V/0.5A.
5. Molding machine terminology may differ depending on the manufacturer.

● External Dimensions : Operation Panel



● External Dimensions : Control Unit



Notes

1. The bracket can be mounted in any direction.
2. The bracket is shipped mounted as shown in the drawings above.

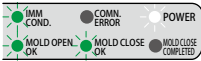
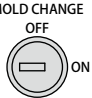
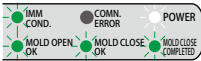
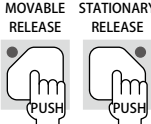

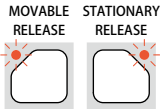
Operation Procedure : For YMB080-VGE10 ※ Please contact us for the operation procedure for other models.

Clamp Operating Condition

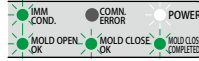
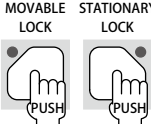

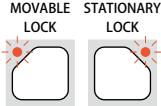
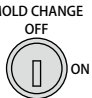
Injection Molding Machine Condition				Clamp Operation Panel
Operation Mode:	Mold	Nozzle Back	Ejector Back	Mold Change "ON"
Mold Change	Close	(Option)	(Option)	

Note: When the mold change switch is "ON", clamp error does not occur regardless of the condition of clamps during mold change.

Unloading a Mold

Operation Procedure	Confirmation Items	Cautions
Prepare for mold change.		
Switch the IMM condition to "Nozzle Back" / "Ejector Back" etc. (Input Options)		
Support the mold with the crane.		Confirm the mold is securely hung and cables are not loose.
Switch the IMM to Mold Change Mode.	"IMM COND." light ON. 	
Turn ON the "Mold Change" switch of the clamp operation panel. 		The clamping system controller keys should be carefully controlled by the person in charge.
Close the platens.	"MOLD CLOSE COMPLETED" light ON. 	
Press the [Stationary] and [Movable] "Release" buttons of the clamp operation panel. 	"STA. BWD END" "MOV. BWD END" lights ON.  "RELEASE" lights ON. 	
	"MOLD OPEN OK" light ON.	
Open the platens.		Operate with low speed or inching.
Unload the mold.		Make sure there is no abnormality on clamps and other devices in the platen after unloading the mold.

Loading a Mold

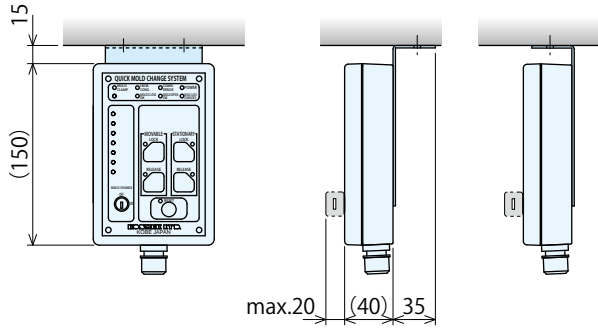
Operation Procedure	Confirmation Items	Cautions
Load the mold with the crane.		Confirm specifications of the mold before loading.
Close the platens.	"MOLD CLOSE COMPLETED" light ON. 	
Press the [Stationary] and [Movable] "Lock" buttons of the clamp operation panel. 	"STA. FWD END" "MOV. FWD END" lights ON.  "LOCK" lights ON. 	
Turn OFF the "Mold Change" switch of the clamp operation panel. 	"Mold Open OK" "Mold Close OK" lights ON.	
Release the mold from crane.		Make sure there is no abnormality on clamps and other devices in the platen.

Interlock Input and Output ※ Please contact us for unlisted input/output signals (special order unit).

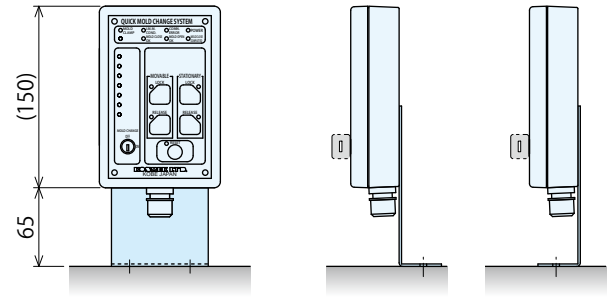
I. M. M. Output	Contents
Mold Change Mode	A signal that ensures the IMM is in low-speed Mold Change Mode.
Mold Closed (Pressurized)	A signal that ensures the mold is completely closed. Required for clamp lock / release to prevent the mold from falling.
Nozzle Back	A signal that ensures the nozzle / injection unit is fully back to prevent damage to the nozzle / injection unit when changing molds.
Ejector Back	A signal that ensures the ejector plate is in the back position to prevent damage to the ejector rods during mold removal.
I. M. M. Input	Contents
Mold Open OK	A signal that indicates the clamping system is ready for mold opening.
Mold Close OK	A signal that indicates the clamping system is ready for mold closing.
Mold Change "ON"	A signal that indicates the clamp system is in "Mold Change Mode".
Clamp Error	When an error in the clamp circuit occurs, this signal is sent to make an emergency stop of the machine.
Pressure Request	This signal requests additional hydraulic pressure when necessary to lock or release the clamps in Mold Change Mode.

● **Mounting Method: Operation Panel**

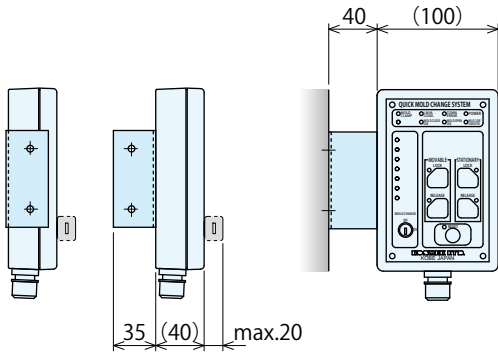
Top Mounted



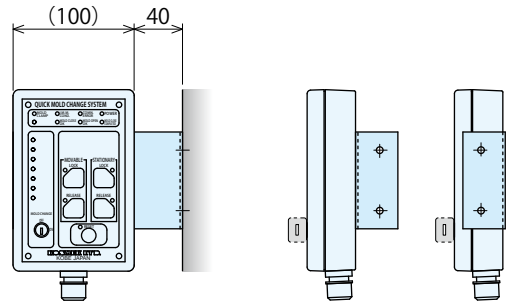
Bottom Mounted



Left Mounted

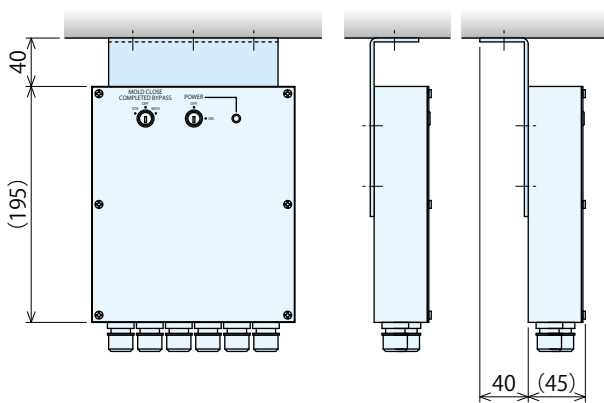


Right Mounted

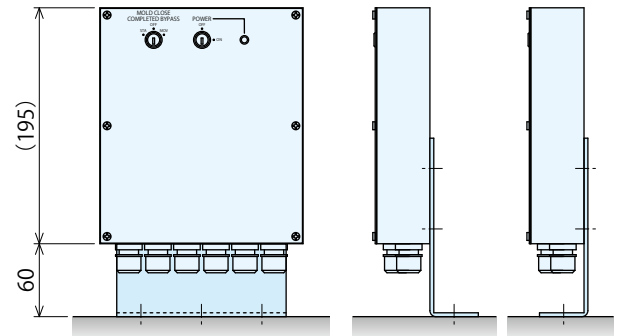


● **Mounting Method: Control Unit**

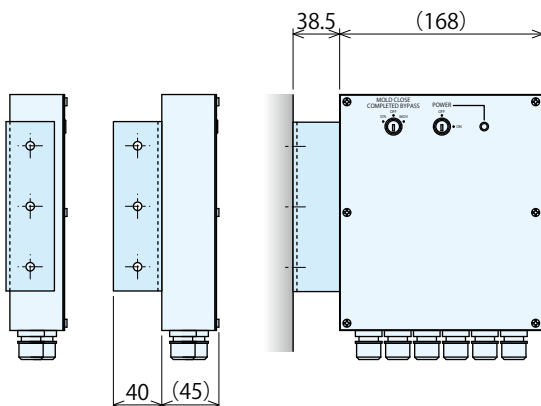
Top Mounted



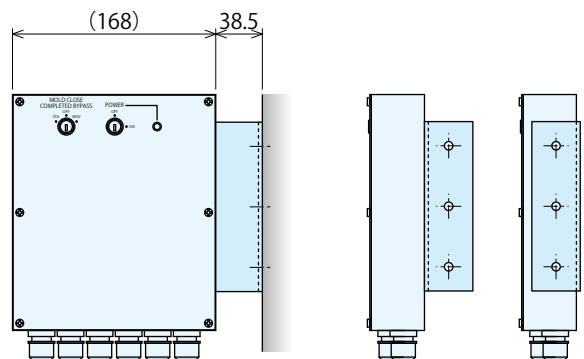
Bottom Mounted



Left Mounted



Right Mounted



Sales Offices

Sales Offices across the World

Japan	TEL. +81-78-991-5162	FAX. +81-78-991-8787
Overseas Sales	KOSMEK LTD. 1-5, 2-chome, Murotani, Nishi-ku, Kobe-city, Hyogo, Japan 651-2241 〒651-2241 兵庫県神戸市西区室谷2丁目1番5号	
USA	TEL. +1-630-241-3465	FAX. +1-630-241-3834
KOSMEK (USA) LTD.	1441 Branding Avenue, Suite 110, Downers Grove, IL 60515 USA	
China	TEL.+86-21-54253000	FAX.+86-21-54253709
KOSMEK (CHINA) LTD. 考世美(上海)貿易有限公司	21/F, Orient International Technology Building, No.58, Xiangchen Rd, Pudong Shanghai 200122., P.R.China 中国上海市浦东新区向城路58号东方国际科技大厦21F室 200122	
Thailand	TEL. +66-2-715-3450	FAX. +66-2-715-3453
Thailand Representative Office	67 Soi 58, RAMA 9 Rd., Suanluang, Suanluang, Bangkok 10250, Thailand	
Taiwan (Taiwan Exclusive Distributor)	TEL. +886-2-82261860	FAX. +886-2-82261890
Full Life Trading Co., Ltd. 盈生貿易有限公司	16F-4, No.2, Jian Ba Rd., Zhonghe District, New Taipei City Taiwan 23511 台湾新北市中和區建八路2號 16F-4 (遠東世紀廣場)	
Philippines (Philippines Exclusive Distributor)	TEL.+63-2-310-7286	FAX. +63-2-310-7286
G.E.T. Inc, Phil.	Victoria Wave Special Economic Zone Mt. Apo Building, Brgy. 186, North Caloocan City, Metro Manila, Philippines 1427	
Europe (Europe Exclusive Distributor)	TEL. +43-463-287587-10	FAX. +43-463-287587-20
KOS-MECH GmbH	Schleppplatz 2 9020 Klagenfurt Austria	
Indonesia (Indonesia Exclusive Distributor)	TEL. +62-21-5818632	FAX. +62-21-5814857
P.T PANDU HYDRO PNEUMATICS	Ruko Green Garden Blok Z- II No.51 Rt.005 Rw.008 Kedoya Utara-Kebon Jeruk Jakarta Barat 11520 Indonesia	

Sales Offices in Japan

Head Office	TEL.078-991-5115	FAX.078-991-8787
Osaka Sales Office	〒651-2241 兵庫県神戸市西区室谷2丁目1番5号	
Overseas Sales		
Tokyo Sales Office	TEL.048-652-8839	FAX.048-652-8828
	〒331-0815 埼玉県さいたま市北区大成町4丁目81番地	
Nagoya Sales Office	TEL.0566-74-8778	FAX.0566-74-8808
	〒446-0076 愛知県安城市美園町2丁目10番地1	
Fukuoka Sales Office	TEL.092-433-0424	FAX.092-433-0426
	〒812-0006 福岡県福岡市博多区上牟田1丁目8-10-101	