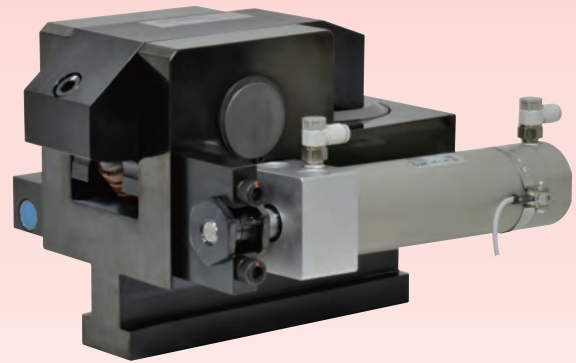


Hydraulic Lever Clamp

T-Slot Automatic-Slide

Model **GBE**

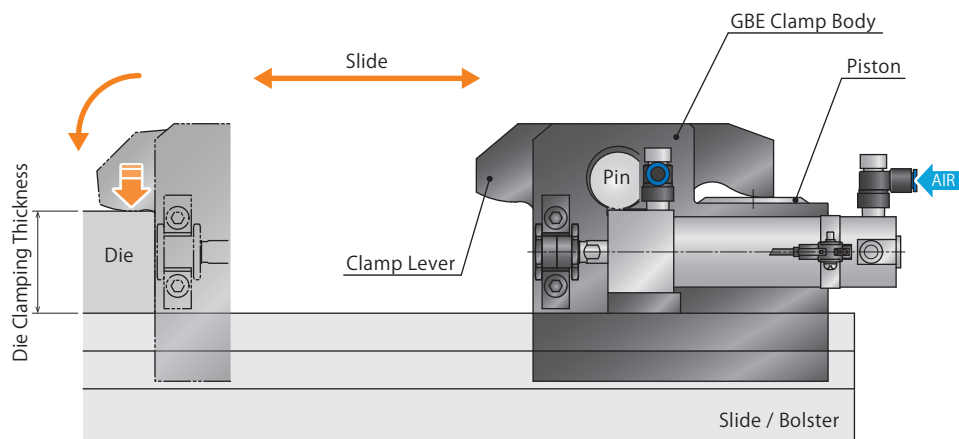
(Conventional Model **GE**)



GBB Clamp with an Air Cylinder

Most suitable for inaccessible area or non-operation side.
Clamp movement is completely automated.

● Action Description



Locked State

GBE clamp moves forward with the air supply to the air cylinder.
Hydraulic pressure is supplied after the proximity switch detects the die.
The piston is lifted up, and the clamp lever pivots on the pin and locks the die.

Forward End Detection ON
Backward End Detection OFF

Released State

When hydraulic pressure is released, the piston descends with built-in spring force and the clamp lever is at released state.
After that, air is supplied to the air cylinder and GBE clamp moves backward automatically.
(The backward-end confirmation switch detects that the GBE clamp moves backward.)

Forward End Detection OFF
Backward End Detection ON

※ We provide GBE clamp according to the die clamping thickness and T-slot dimension.
Please refer to the external dimensions for detail.

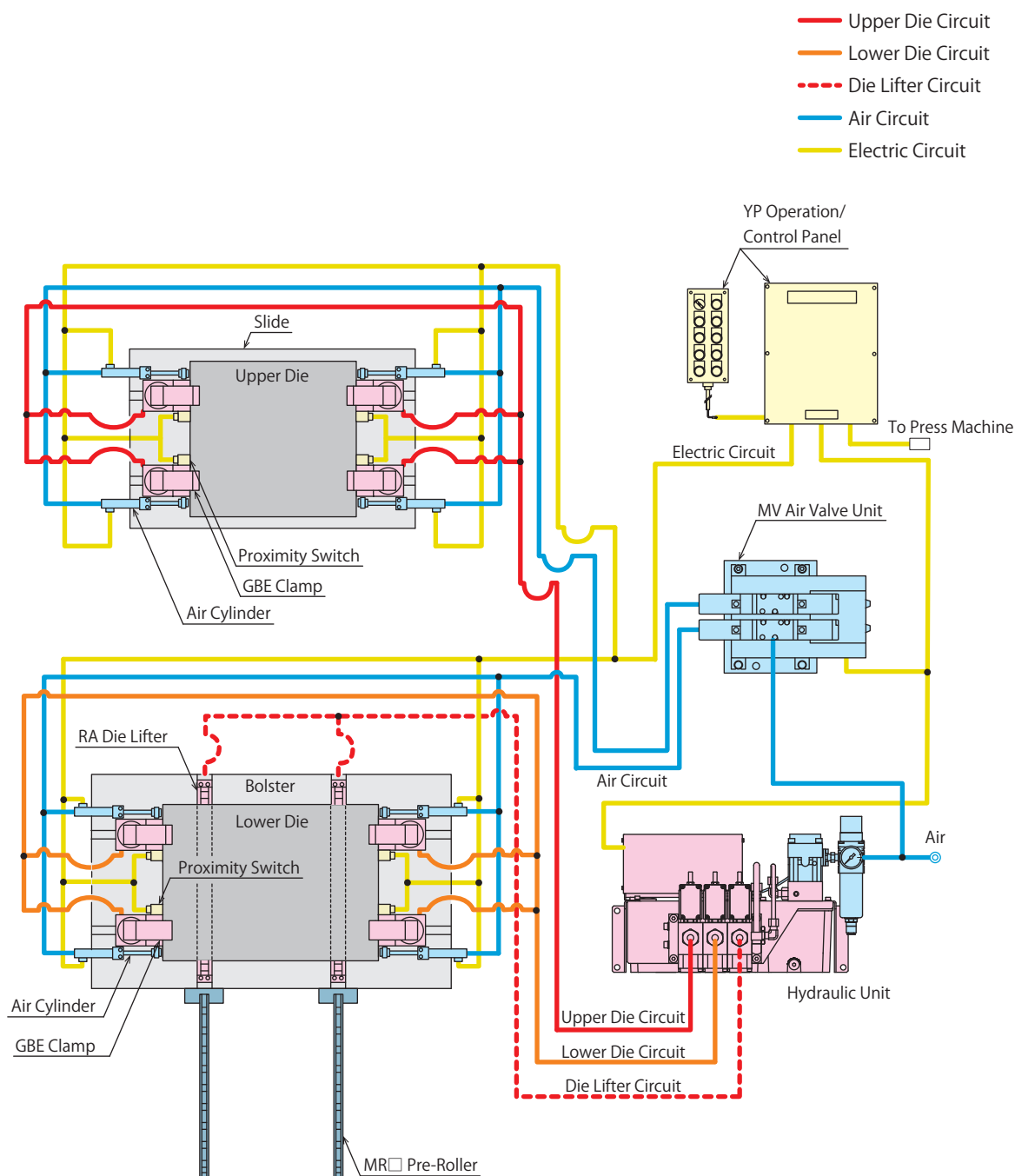
System Structure Example

The basic structure with GBE clamps that slide automatically in the T-slot with the air cylinder.

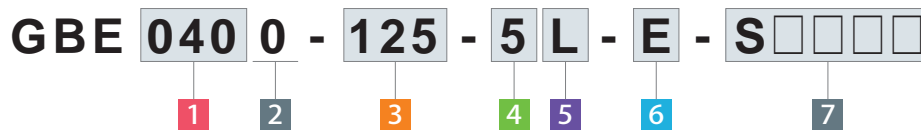
This system is able to control the upper die circuit, lower die circuit, and RA die lifter circuit individually by using a three-circuit hydraulic unit. Clamps are slid by the air valve unit.

Upper Clamp	: GBE Clamp
Lower Clamp	: GBE Clamp
Hydraulic Source	: CP□ Unit / CQ□ Unit
Air Valve Unit	: MV30□2 Valve Unit

We are able to provide different models of clamp for the upper die and lower die.
Please contact us for further information.



Model No. Indication



1 Clamping Force

- 025 : Clamping Force= 25kN
- 040 : Clamping Force= 40kN
- 063 : Clamping Force= 63kN
- 100 : Clamping Force= 100kN
- 160 : Clamping Force= 160kN
- 250 : Clamping Force= 250kN
- 400 : Clamping Force= 400kN
- 500 : Clamping Force= 500kN

2 Design No.

- 0 : Revision Number

3 Slide Stroke

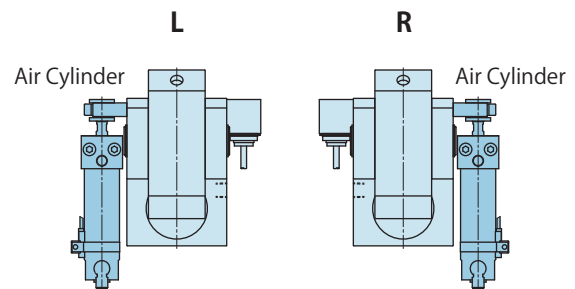
- 50 : Slide Stroke 50mm
- 125 : Slide Stroke 125mm

4 Switch Load Voltage (Current)

- 1 : AC100V
- 2 : AC200V
- 5 : DC24V (5~40mA)

5 Air Cylinder Mounting Position

- L : Left (Left Side as Seen from Clamp Back Side)
- R : Right (Right Side as Seen from Clamp Back Side)



6 Option ※ Please contact us for specifications/external dimensions.

- Blank : Standard
- E : Reinforced Body
- H : Extra Height Body (When h dimension is more than max. h dimension shown in the external dimension.)
- J : Low Lever (When h dimension is less than min. h dimension shown in the external dimension.)
- K : Rear Port
- L□ : Wide Lever (For U-Cut of Die) ※1
- M□ : For Die with Notch
- N : NPT Port ※2
- Q : Double Cylinder
- R : Longer D Dimension of T-Leg
- S : Special Spacer
- U : With Grease Nipple
- V : High Temperature (0~120°C)

Notes:

- ※1. Please indicate the U-cut dimension of the die.
- ※2. Dimensions in the specification sheet and other documents are in inches.

7 Production Number

This number represents the main specification of the clamp's T-slot stem and the clamping height. After the specification is confirmed, we will create a number.

Specifications

(mm)

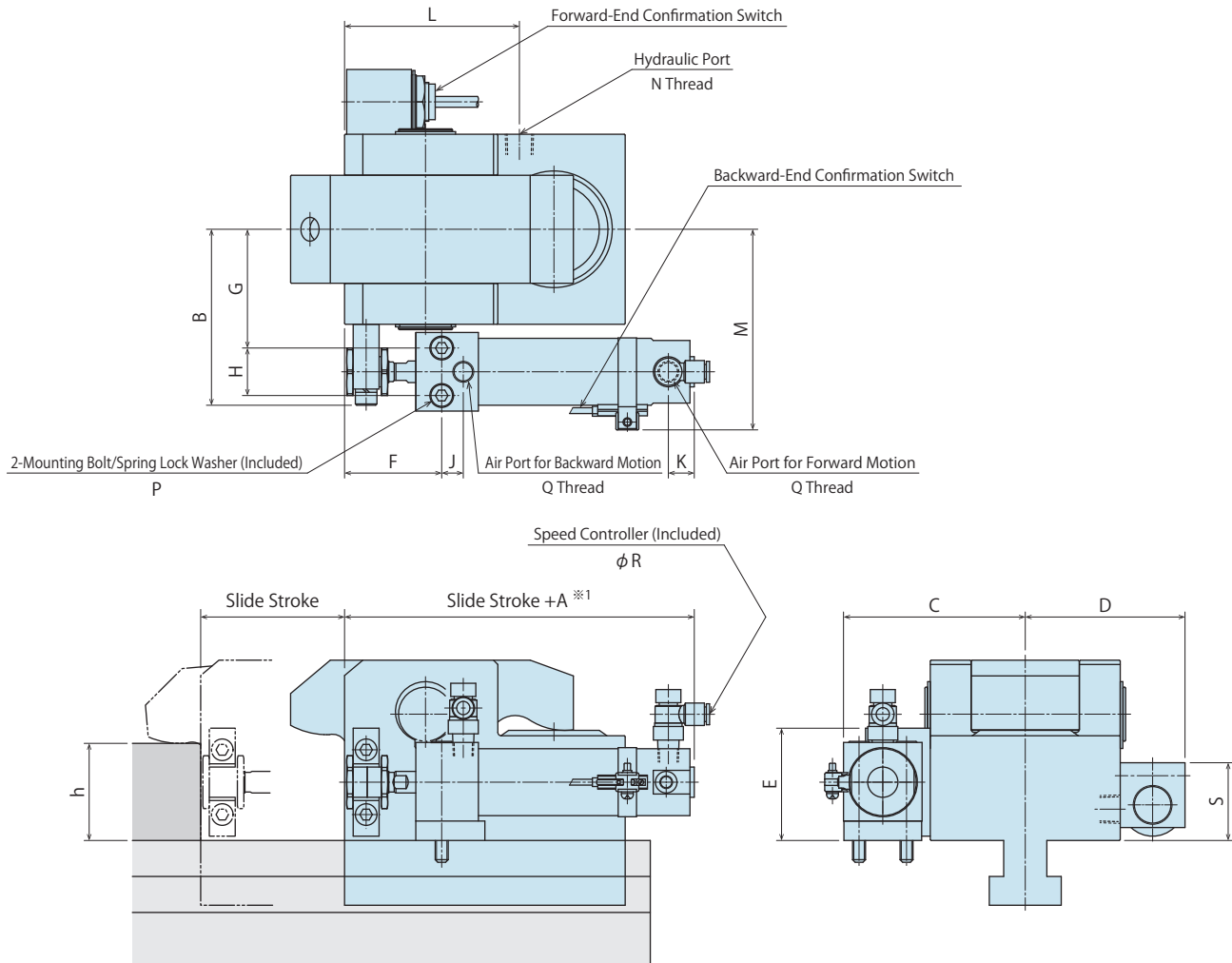
Model No.	GBE0250	GBE0400	GBE0630	GBE1000	GBE1600	GBE2500	GBE4000	GBE5000	
GBB Model No.	GBB0250	GBB0400	GBB0630	GBB1000	GBB1600	GBB2500	GBB4000	GBB5000	
Clamping Force	kN	25	40	63	100	160	250	400	500
Working Pressure	MPa	25 (For Rated Clamp Force)							
Withstanding Pressure	MPa	37							
Slide Stroke Range	mm	25~200	25~200	50~200	50~200	50~300	50~300	50~300	50~300
Full Stroke	mm	7	7	8	8	8	8	8	8
Clamp Stroke	mm	3.5	3.5	4	4	4	4	4	4
Extra Stroke	mm	3.5	3.5	4	4	4	4	4	4
Cylinder Capacity (At Full Stroke)	cm ³	7.2	11.5	20.6	33.6	53.8	83.8	130.8	166.0
Operating Temperature ※3	°C	0~70 (High temperature option is available for 0~120°C)							
Use Frequency ※4		Less than 20 Cycles / Day							
Pressurizing Agent ※5 ※6 ※7		General Hydraulic Oil Equivalent to ISO-VG-32							
Min. T-Slot Width a (JIS) ※8	mm	14	18	22	24	28	36	36	36 (2 T-Legs)
Max. T-Slot Width a (JIS) ※8	mm	32	42	42	54	54	54	54	42 (2 T-Legs)

Notes:

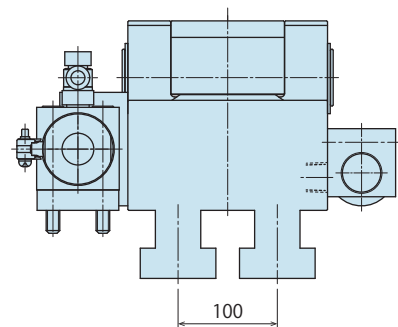
- ※3. Option **V**: High Temperature (0~120°C) is for operating in temperatures of 70°C or more.
- ※4. Please contact us for more frequent use.
- ※5. Please contact us for fluids other than those mentioned on the list.
- ※6. If hydraulic viscosity is higher than specified, action time will be longer.
- ※7. If using it at low temperature, action time will be longer because the viscosity of hydraulic oil becomes higher.
- ※8. It shows reference dimensions. The dimension may differ from specification depending on T-slot (T-leg) dimension, dimension of clamp cylinder that sticks out of T-slot during lock action, or body material.
 1. Please refer to GBB clamp pages (p. 1-6) for details of clamp body.

External Dimensions

※ This drawing shows GBE0250 ~ GBE5000 standard model. GBE5000 has two T-legs.
 Contact us for external dimensions for options.
 Please refer to GBB clamp pages (p. 1-6) for details of clamp body.



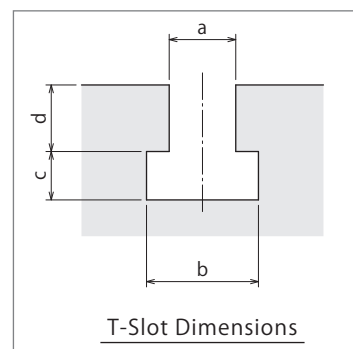
※ GBE5000 has two T-legs.
 Contact us for external dimensions for options.
 Please refer to GBB clamp pages (p. 1-6) for details of clamp body.



Notes:

1. Do not exceed the clamping force on the specification.
2. Specifications/Contents in this catalog are subject to change without prior notice. Ask for the approval drawing before deciding to purchase.

T-Slot Dimensions



External Dimensions

(mm)

Model No.	GBE0250	GBE0400	GBE0630	GBE1000	GBE1600	GBE2500	GBE4000	GBE5000
GBB Clamp Model No.	GBB0250	GBB0400	GBB0630	GBB1000	GBB1600	GBB2500	GBB4000	GBB5000
Full Stroke	7	7	8	8	8	8	8	8
Clamp Stroke	3.5	3.5	4	4	4	4	4	4
Extra Stroke	3.5	3.5	4	4	4	4	4	4
A ※1	105	105	112	118	136	157	184	184
B	60.5	65.5	81.5	92.5	112	137	189	201.5
C	63.5	68.5	84.5	94.5	116.5	142	218.5	231
D	59	64	74	78.5	88.5	102	117.5	130
E	37	37	52	58	70.5	81	119	119
F	39	39	45	46	56	64	57	57
G	39	44	55	61	74	89	106.5	119
H	18	18	22	24	32	41	96	96
J	9	9	10	13	14	16	36	36
K ※1	12	12	12	12	12	14	19	19
L	75.5	93.5	81	91	126	170.5	215	250
M	72.5	77.5	93	103.5	125	150.5	213.5	226
N	Rc1/8	Rc1/4	Rc1/4	Rc1/4	Rc1/4	Rc1/4	Rc3/8	Rc3/8
P	M5x0.8x40	M5x0.8x40	M6x1x50	M8x1.25x55	M10x1.5x70	M12x1.75x85	M16x2x130	M16x2x130
Q	Rc1/8	Rc1/8	Rc1/8	Rc1/8	Rc1/8	Rc1/4	Rc3/8	Rc3/8
R ※2	6	6	6	6	6	10	10	10
S	40.5	40.5	36	36	36	36	36	36
min. h	25	25	30	40	40	45	50	60
max. h	50	50	60	70	80	80	85	85

Notes:

- ※1. "A" and "K" dimensions are different when exceeding the stroke value written in the list. Please contact us for detail.
- ※2. For -N:NPT Port, "R" dimension is in inches.
 1. If you would like to change the ratio of clamp stroke and extra stroke, please contact us.
 2. When making an order, please indicate a, b, c, d dimension of T-slot and h dimensions of die clamping thickness.
 3. Please refer to GBB clamp pages (p. 1-6) for unlisted dimensions.

Slide Stroke List

Model No.	Slide Stroke (mm)								
	25	50	75	100	125	150	200	250	300
GBE0250	○	○	○	○	○	○	○		
GBE0400	○	○	○	○	○	○	○		
GBE0630		○	○	○	○	○	○		
GBE1000		○	○	○	○	○	○		
GBE1600		○	○	○	○	○	○	○	○
GBE2500		○	○	○	○	○	○	○	○
GBE4000		○	○	○	○	○	○	○	○
GBE5000		○	○	○	○	○	○	○	○

Note:

1. "A" and "K" dimensions are different when exceeding the stroke value written in the list. Please contact for detail.

Sales Offices

Sales Offices across the World

Japan	TEL. +81-78-991-5162	FAX. +81-78-991-8787
Overseas Sales	KOSMEK LTD. 1-5, 2-chome, Murotani, Nishi-ku, Kobe-city, Hyogo, Japan 651-2241 〒651-2241 兵庫県神戸市西区室谷2丁目1番5号	
USA	TEL. +1-630-241-3465	FAX. +1-630-241-3834
KOSMEK (USA) LTD.	1441 Branding Avenue, Suite 110, Downers Grove, IL 60515 USA	
China	TEL.+86-21-54253000	FAX.+86-21-54253709
KOSMEK (CHINA) LTD. 考世美(上海)貿易有限公司	21/F, Orient International Technology Building, No.58, Xiangchen Rd, Pudong Shanghai 200122., P.R.China 中国上海市浦东新区向城路58号东方国际科技大厦21F室 200122	
Thailand	TEL. +66-2-715-3450	FAX. +66-2-715-3453
Thailand Representative Office	67 Soi 58, RAMA 9 Rd., Suanluang, Suanluang, Bangkok 10250, Thailand	
Taiwan (Taiwan Exclusive Distributor)	TEL. +886-2-82261860	FAX. +886-2-82261890
Full Life Trading Co., Ltd. 盈生貿易有限公司	16F-4, No.2, Jian Ba Rd., Zhonghe District, New Taipei City Taiwan 23511 台湾新北市中和區建八路2號 16F-4 (遠東世紀廣場)	
Philippines (Philippines Exclusive Distributor)	TEL.+63-2-310-7286	FAX. +63-2-310-7286
G.E.T. Inc, Phil.	Victoria Wave Special Economic Zone Mt. Apo Building, Brgy. 186, North Caloocan City, Metro Manila, Philippines 1427	
Europe (Europe Exclusive Distributor)	TEL. +43-463-287587-10	FAX. +43-463-287587-20
KOS-MECH GmbH	Schleppplatz 2 9020 Klagenfurt Austria	
Indonesia (Indonesia Exclusive Distributor)	TEL. +62-21-5818632	FAX. +62-21-5814857
P.T PANDU HYDRO PNEUMATICS	Ruko Green Garden Blok Z- II No.51 Rt.005 Rw.008 Kedoya Utara-Kebon Jeruk Jakarta Barat 11520 Indonesia	

Sales Offices in Japan

Head Office	TEL.078-991-5115	FAX.078-991-8787
Osaka Sales Office	〒651-2241 兵庫県神戸市西区室谷2丁目1番5号	
Overseas Sales		
Tokyo Sales Office	TEL.048-652-8839	FAX.048-652-8828
	〒331-0815 埼玉県さいたま市北区大成町4丁目81番地	
Nagoya Sales Office	TEL.0566-74-8778	FAX.0566-74-8808
	〒446-0076 愛知県安城市美園町2丁目10番地1	
Fukuoka Sales Office	TEL.092-433-0424	FAX.092-433-0426
	〒812-0006 福岡県福岡市博多区上牟田1丁目8-10-101	