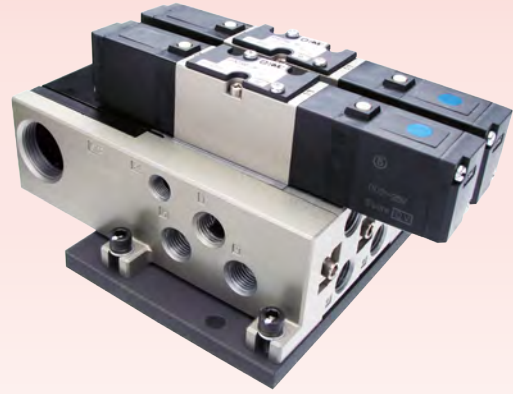


Air Valve Unit

For Automatic Slide Clamp

Model MV3



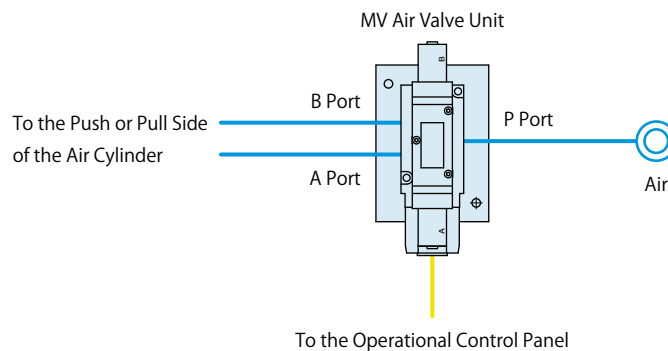
Air Valve Unit for GBE/GBF/GBR/GLA Clamp

Compact air valve unit controls the air cylinder of automatic slide clamp.

Air directional control valve which is actuated by electrical signal. GBE/GBF/GBR/GLA clamp slides automatically with the air cylinder.

Application Example

The drawing shows the air flow direction when controlling the push and pull sides of air cylinder with MV Air Valve Unit.



Model No. Indication

MV **302** **2** - **3** **5** - **N**

1 2 3 4 5

1 Size Code

- 301** : For Small/Medium Clamp
- 302** : For Large Clamp

2 Design No.

- 2** : Revision Number

3 Number of Circuit

- 1** : 1 Circuit
- 2** : 2 Circuits (Stationary Side/Movable Side, or Cross-Coupled Circuits etc.)
- 3** : 3 Circuits (Movable Side Cross-Coupled Circuits and One Stationary Circuit)

4 Valve Control Voltage

- 1** : AC100V
- 2** : AC200V
- 5** : DC24V (5~40mA)

5 Option

- Blank** : Standard
- N** : Piping Port NPT Thread^{※1}

Notes

- ※1. For **5** Option N: Piping Port NPT Thread, the dimensions in the specification sheet and other documents are in inches.
- 1. Please contact us when using a large number of clamps.

Specifications

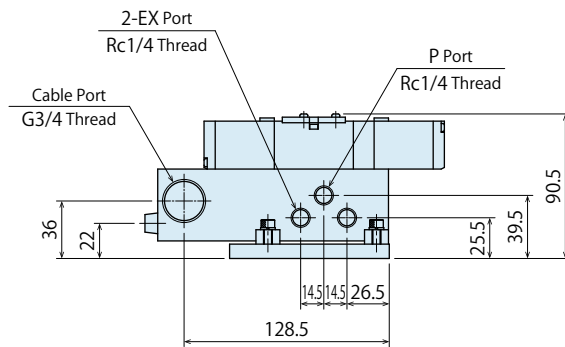
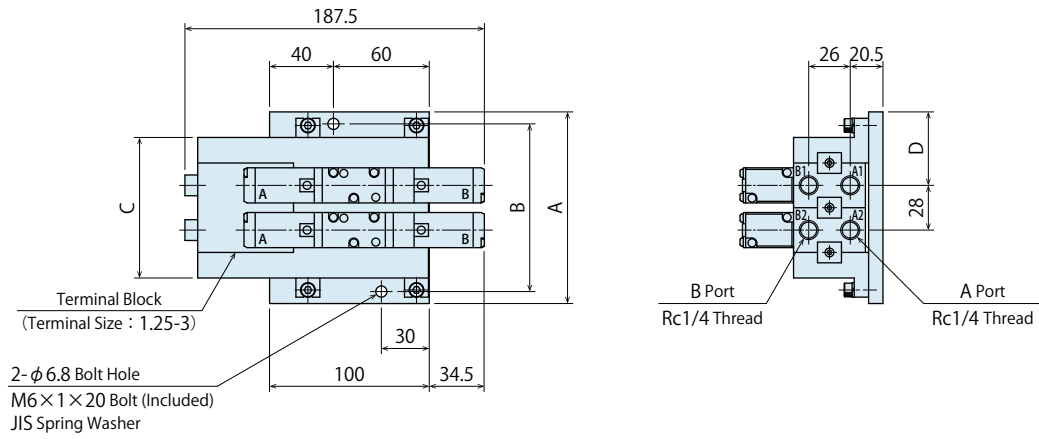
Model No.	MV3012	MV3022
Valve	Metal Seal / Five-Port Pilot Operated	
Position/Number of Solenoid	Two-Position Double Solenoid	
Effective Area	mm ² 15	36
Pressurizing Agent	Dry Air ^{※2}	
Max. Operating Pressure	MPa 1.0	
Withstanding Pressure	MPa 1.5	
Operating Temperature	°C -10 ~ +60	
Oil Supply	No Oil Supply	
Protection	Dust Proof	
Solenoid Valve (SMC)	VFS2200	VFS3200

Note

- ※2. Please supply filtered clean dry air.

External Dimensions

※ This drawing shows MV3012-□□.



(mm)

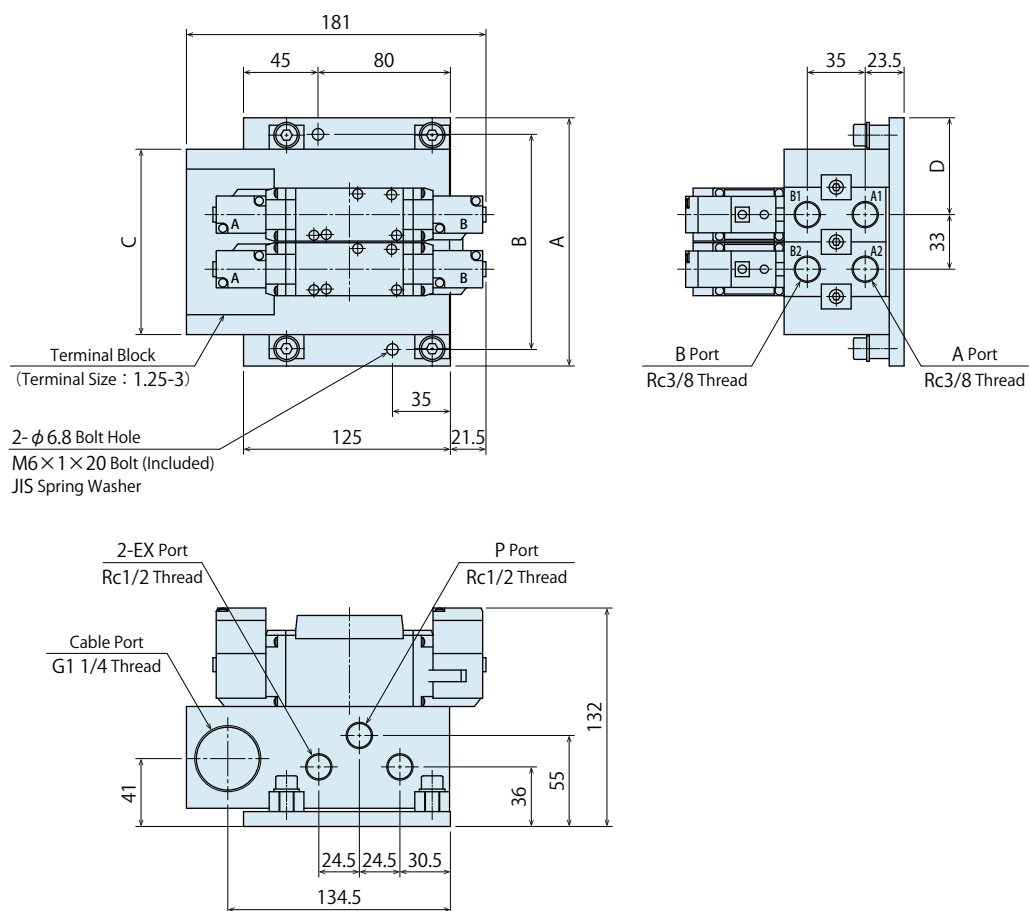
Number of Circuits	A	B	C	D
2	120	105	88	46
3	150	135	116	47

Note

1. Please contact us for the dimensions for one circuit model.

External Dimensions

※ This drawing shows MV3022-□□.



(mm)

Number of Circuits	A	B	C	D
2	150	130	112	58.5
3	185	165	145	59.5

Note

1. Please contact us for the dimensions for one circuit model.

Sales Offices

Sales Offices across the World

Japan	TEL. +81-78-991-5162	FAX. +81-78-991-8787
Overseas Sales	KOSMEK LTD. 1-5, 2-chome, Murotani, Nishi-ku, Kobe-city, Hyogo, Japan 651-2241 〒651-2241 兵庫県神戸市西区室谷2丁目1番5号	
USA	TEL. +1-630-241-3465	FAX. +1-630-241-3834
KOSMEK (USA) LTD.	1441 Branding Avenue, Suite 110, Downers Grove, IL 60515 USA	
China	TEL.+86-21-54253000	FAX.+86-21-54253709
KOSMEK (CHINA) LTD. 考世美(上海)貿易有限公司	21/F, Orient International Technology Building, No.58, Xiangchen Rd, Pudong Shanghai 200122., P.R.China 中国上海市浦东新区向城路58号东方国际科技大厦21F室 200122	
Thailand	TEL. +66-2-715-3450	FAX. +66-2-715-3453
Thailand Representative Office	67 Soi 58, RAMA 9 Rd., Suanluang, Suanluang, Bangkok 10250, Thailand	
Taiwan (Taiwan Exclusive Distributor)	TEL. +886-2-82261860	FAX. +886-2-82261890
Full Life Trading Co., Ltd. 盈生貿易有限公司	16F-4, No.2, Jian Ba Rd., Zhonghe District, New Taipei City Taiwan 23511 台湾新北市中和區建八路2號 16F-4 (遠東世紀廣場)	
Philippines (Philippines Exclusive Distributor)	TEL.+63-2-310-7286	FAX. +63-2-310-7286
G.E.T. Inc, Phil.	Victoria Wave Special Economic Zone Mt. Apo Building, Brgy. 186, North Caloocan City, Metro Manila, Philippines 1427	
Europe (Europe Exclusive Distributor)	TEL. +43-463-287587-10	FAX. +43-463-287587-20
KOS-MECH GmbH	Schleppplatz 2 9020 Klagenfurt Austria	
Indonesia (Indonesia Exclusive Distributor)	TEL. +62-21-5818632	FAX. +62-21-5814857
P.T PANDU HYDRO PNEUMATICS	Ruko Green Garden Blok Z- II No.51 Rt.005 Rw.008 Kedoya Utara-Kebon Jeruk Jakarta Barat 11520 Indonesia	

Sales Offices in Japan

Head Office	TEL.078-991-5115	FAX.078-991-8787
Osaka Sales Office	〒651-2241 兵庫県神戸市西区室谷2丁目1番5号	
Overseas Sales		
Tokyo Sales Office	TEL.048-652-8839	FAX.048-652-8828
	〒331-0815 埼玉県さいたま市北区大成町4丁目81番地	
Nagoya Sales Office	TEL.0566-74-8778	FAX.0566-74-8808
	〒446-0076 愛知県安城市美園町2丁目10番地1	
Fukuoka Sales Office	TEL.092-433-0424	FAX.092-433-0426
	〒812-0006 福岡県福岡市博多区上牟田1丁目8-10-101	