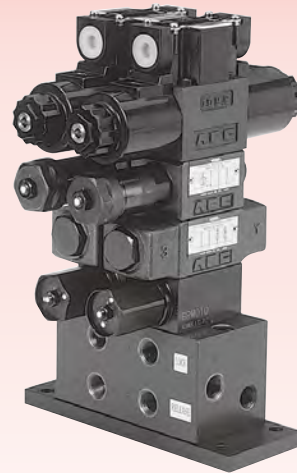


# Valve Unit

For IMM Hydraulic Pressure

Model MVO



## Controls the Clamps with Hydraulic Pressure from IMM.

Only for GWA/GLA Clamp

Valve Unit with Pressure Relief Valve in Lock Circuit

### ● Model No. Indication

MV **002** **1** - **5** - **W** - **N**

1 2 3 4 5

#### 1 Size Code

- 001** : For Small/Medium Clamp (For IMM Pressure 14MPa)
- 002** : For Small/Medium Clamp (For IMM Pressure 14-21MPa)
- 006** : For Large Clamp (For IMM Pressure 14-21MPa)

#### 2 Design No.

- 1** : Revision Number

#### 3 Valve Control Voltage

- 1** : AC100V
- 2** : AC200V
- 3** : AC110V
- 4** : AC220V
- 5** : DC24V (5~40mA)

#### 4 Option ①

- Blank** : Standard (With Pressure Relief Valve at Lock Circuit)
- W** : With Pressure Relief Valve on Both Lock and Release Circuit

#### 5 Option ②

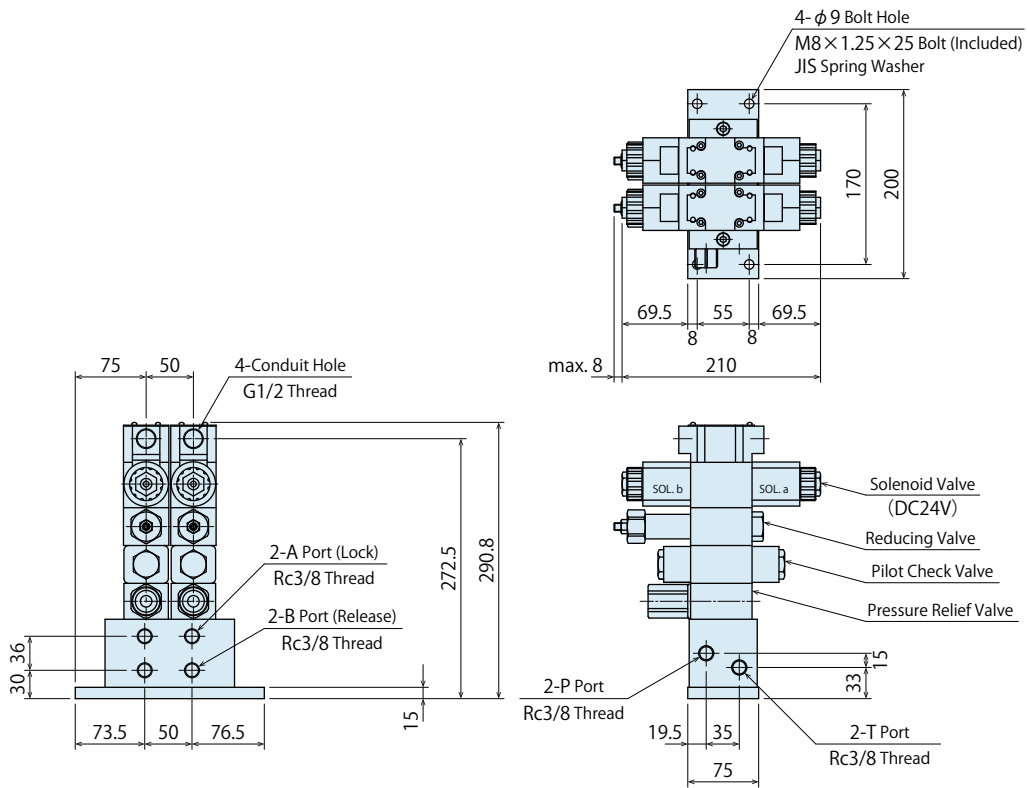
- Blank** : Standard
- N** : Piping Port NPT Thread<sup>※1</sup>

Note:

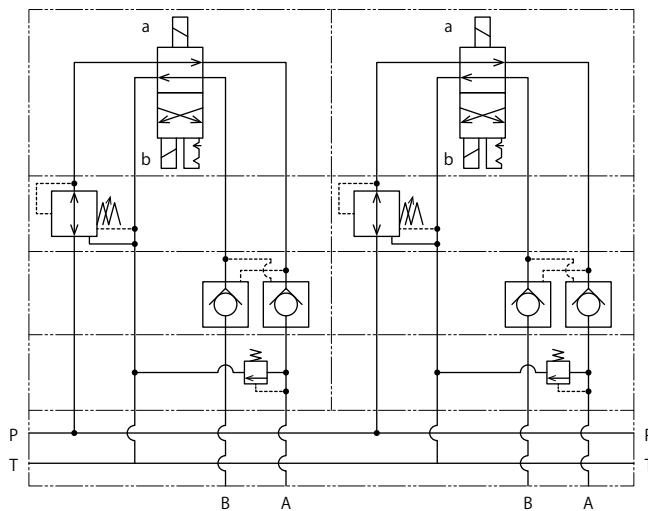
- ※1. **5** Option ② N: Piping Port NPT Thread includes the adaptor for connecting NPT thread.  
The dimensions in the specification sheet and other documents are in inches.



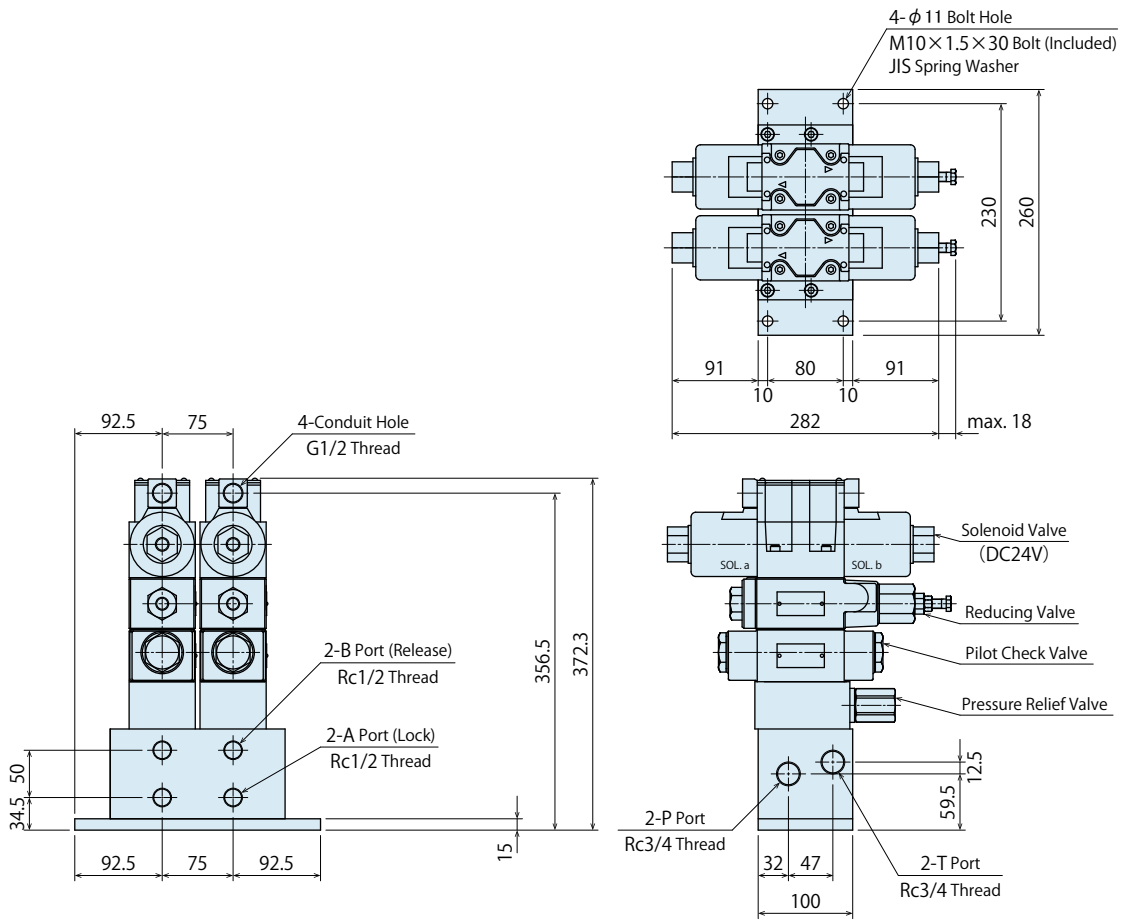
External Dimensions : MV0021-5 (For IMM Pressure 14MPa-21MPa)



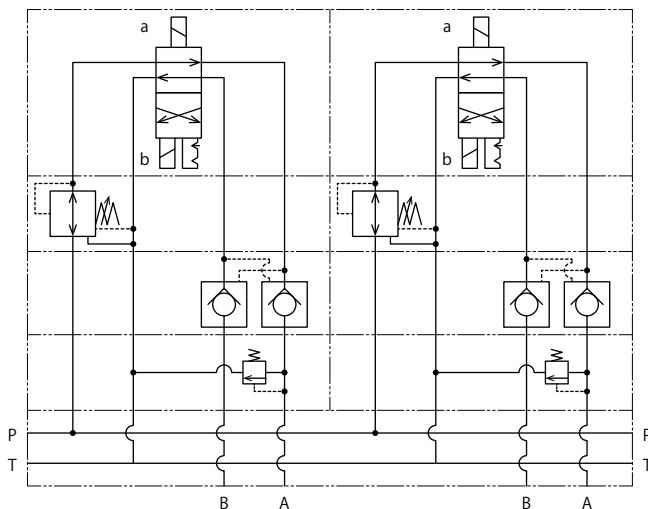
Circuit Symbol : MV0021-5 (For IMM Pressure 14MPa-21MPa)



External Dimensions : MV0061-5 (For IMM Pressure 14MPa-21MPa)



Circuit Symbol : MV0061-5 (For IMM Pressure 14MPa-21MPa)



# Sales Offices

## Sales Offices across the World

Japan	<b>TEL. +81-78-991-5162</b>	<b>FAX. +81-78-991-8787</b>
Overseas Sales	KOSMEK LTD. 1-5, 2-chome, Murotani, Nishi-ku, Kobe-city, Hyogo, Japan 651-2241 〒651-2241 兵庫県神戸市西区室谷2丁目1番5号	
USA	<b>TEL. +1-630-241-3465</b>	<b>FAX. +1-630-241-3834</b>
KOSMEK (USA) LTD.	1441 Branding Avenue, Suite 110, Downers Grove, IL 60515 USA	
China	<b>TEL.+86-21-54253000</b>	<b>FAX.+86-21-54253709</b>
KOSMEK (CHINA) LTD. 考世美(上海)貿易有限公司	21/F, Orient International Technology Building, No.58, Xiangchen Rd, Pudong Shanghai 200122., P.R.China 中国上海市浦东新区向城路58号东方国际科技大厦21F室 200122	
Thailand	<b>TEL. +66-2-715-3450</b>	<b>FAX. +66-2-715-3453</b>
Thailand Representative Office	67 Soi 58, RAMA 9 Rd., Suanluang, Suanluang, Bangkok 10250, Thailand	
Taiwan (Taiwan Exclusive Distributor)	<b>TEL. +886-2-82261860</b>	<b>FAX. +886-2-82261890</b>
Full Life Trading Co., Ltd. 盈生貿易有限公司	16F-4, No.2, Jian Ba Rd., Zhonghe District, New Taipei City Taiwan 23511 台湾新北市中和區建八路2號 16F-4 (遠東世紀廣場)	
Philippines (Philippines Exclusive Distributor)	<b>TEL.+63-2-310-7286</b>	<b>FAX. +63-2-310-7286</b>
G.E.T. Inc, Phil.	Victoria Wave Special Economic Zone Mt. Apo Building, Brgy. 186, North Caloocan City, Metro Manila, Philippines 1427	
Europe (Europe Exclusive Distributor)	<b>TEL. +43-463-287587-10</b>	<b>FAX. +43-463-287587-20</b>
KOS-MECH GmbH	Schleppeplatz 2 9020 Klagenfurt Austria	
Indonesia (Indonesia Exclusive Distributor)	<b>TEL. +62-21-5818632</b>	<b>FAX. +62-21-5814857</b>
P.T PANDU HYDRO PNEUMATICS	Ruko Green Garden Blok Z- II No.51 Rt.005 Rw.008 Kedoya Utara-Kebon Jeruk Jakarta Barat 11520 Indonesia	

## Sales Offices in Japan

Head Office	<b>TEL.078-991-5115</b>	<b>FAX.078-991-8787</b>
Osaka Sales Office	〒651-2241 兵庫県神戸市西区室谷2丁目1番5号	
Overseas Sales		
Tokyo Sales Office	<b>TEL.048-652-8839</b>	<b>FAX.048-652-8828</b>
	〒331-0815 埼玉県さいたま市北区大成町4丁目81番地	
Nagoya Sales Office	<b>TEL.0566-74-8778</b>	<b>FAX.0566-74-8808</b>
	〒446-0076 愛知県安城市美園町2丁目10番地1	
Fukuoka Sales Office	<b>TEL.092-433-0424</b>	<b>FAX.092-433-0426</b>
	〒812-0006 福岡県福岡市博多区上牟田1丁目8-10-101	