

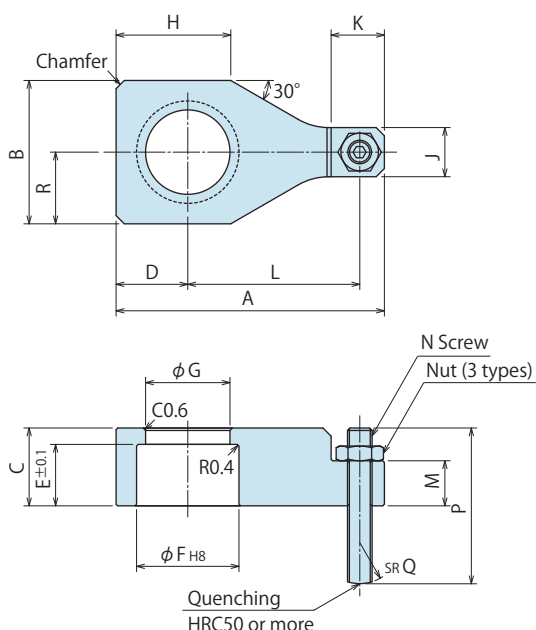
Accessories : Swing Lever for Taper Lock Option

Model No. Indication

LZ 040 0 - LE1

Size (Refer to the graph on the right)

Design No. (Revision Number)



Model No.	LZ0360 -LE1	LZ0400 -LE1	LZ0481 ^{※2} -LE1	LZ0550 -LE1	LZ0650 -LE1	LZ0750 -LE1	LZ0900 -LE1	LZ1050 -LE1
Corresponding Model No. ^{※1}	LT0360	LT0400	LT0480	LT0550	LT0650	LT0750	LG0900	LG1050
A	50	56.5	65.5	77	91.5	105	127	152
B	26	28	35	38	50	58	75	90
C	12	16	19	25	25	32	38	45
D	13	14	17.5	19	25	29	38	45
E	9.5	13	15	21	21	27	33	39
F	17 ^{+0.027} ₀	20 ^{+0.033} ₀	25 ^{+0.033} ₀	28 ^{+0.033} ₀	34 ^{+0.039} ₀	40 ^{+0.039} ₀	49 ^{+0.039} ₀	60 ^{+0.046} ₀
G	13.9 ^{+0.15} ₀	16.7 ^{+0.15} ₀	20.6 ^{+0.15} ₀	23 ^{+0.15} ₀	28 ^{+0.15} ₀	32.9 ^{+0.20} ₀	41.8 ^{+0.20} ₀	51.2 ^{+0.20} ₀
H	22.5	24	28	34	40	47	53	65
J	10	12	12	17	19	22	27	32
K	11	13	13	17	22	25	31	38
L	32	36.5	42	50	56.5	65	75	90
M	7.5	10	11	15	13	16	22	27
N	M5×0.8	M6×1	M6×1	M8×1.25	M10×1.5	M12×1.75	M16×2	M20×2.5
P	28	33	38	42	47	52	56	65
Q	8	10	10	15	20	30	45	60
R	13	14	17.5	19	25	29	37.5	45
Chamfer	C1	C1	C1	C1	C3	C4	C10	C16

Notes

- Material : S45C
 - When you perform a phase determination, please additionally process after referring to a swing lever design size.
- ※1. Please refer to the swing lever design dimension for quick change lever type that is described below when -F type (quick change lever type) is used (P.385). Please make self preparation, when P type is chosen (balance lever type)(P.379).
- ※2. The design No. is 1 for LZ048 only.

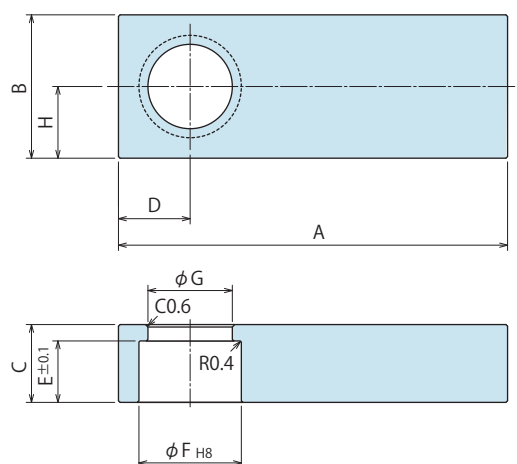
Accessories : Material Swing Lever for Taper Lock Option

Model No. Indication

LZ 040 0 - LE2

Size (Refer to the graph on the right)

Design No. (Revision Number)



Model No.	LZ0360 -LE2	LZ0400 -LE2	LZ0481 ^{※2} -LE2	LZ0550 -LE2	LZ0650 -LE2	LZ0750 -LE2	LZ0900 -LE2	LZ1050 -LE2
Corresponding Model No. ^{※1}	LT0360	LT0400	LT0480	LT0550	LT0650	LT0750	LG0900	LG1050
A	85	90	95	100	120	125	180	250
B	26	28	35	38	50	58	75	90
C	12	16	19	25	25	32	38	45
D	13	14	17.5	19	25	29	38	45
E	9.5	13	15	21	21	27	33	39
F	17 ^{+0.027} ₀	20 ^{+0.033} ₀	25 ^{+0.033} ₀	28 ^{+0.033} ₀	34 ^{+0.039} ₀	40 ^{+0.039} ₀	49 ^{+0.039} ₀	60 ^{+0.046} ₀
G	13.9 ^{+0.15} ₀	16.7 ^{+0.15} ₀	20.6 ^{+0.15} ₀	23 ^{+0.15} ₀	28 ^{+0.15} ₀	32.9 ^{+0.20} ₀	41.8 ^{+0.20} ₀	51.2 ^{+0.20} ₀
H	13	14	17.5	19	25	29	37.5	45

Notes

- Material : S45C
 - If necessary, the front end should be additionally processed.
 - When determining the phase, refer to the swing lever design dimensions for each model to do the additional machining.
- ※1. Please refer to the swing lever design dimension for quick change lever type that is described below when -F type (quick change lever type) is used (P.385). Please make self preparation, when P type is chosen (balance lever type) (P.379).
- ※2. The design No. is 1 for LZ048 only.

High-Power Series
Pneumatic Series
Hydraulic Series
Valve / Coupler Hydraulic Unit
Manual Operation Accessories
Cautions / Others
Hole Clamp
SFA
SFC
Swing Clamp
LHA
LHC
LHS
LHW
LT/LG
TLA-2
TLB-2
TLA-1
Link Clamp
LKA
LKC
LKW
LM/LJ
TMA-2
TMA-1
Work Support
LD
LC
TNC
TC
Air Sensing Lift Cylinder
LLW
Compact Cylinder
LL
LLR
LLU
DP
DR
DS
DT
Block Cylinder
DBA
DBC
Control Valve
BZL
BZT
BZX/JZG
Pallet Clamp
VS
VT
Expansion Locating Pin
VL
VM
VJ
VK
Pull Stud Clamp
FP
FQ
Customized Spring Cylinder
DWA/DWB